



RoHS Compliant

## Specifications

Electrical Ratings	50mA @ 50VDC
Electrical Life	200,000 cycles typical
Contact Resistance	≤ 50mΩ initial
Actuation Force	160gF ± 50gF 260gF ± 50gF
Actuation Travel	.15 ± 0.05mm

Dielectric Strength	250Vrms min
Insulation Resistance	≥ 100MΩ min
Operating Temperature	-40°C to +85°C
Storage Temperature	-40°C to +85°C

## Materials

Actuator	4/6 Nylon
Housing	4/6 Nylon
Cover	Stainless Steel
Contacts	Stainless Steel, Silver Plated
Terminals	Brass, Silver Plated

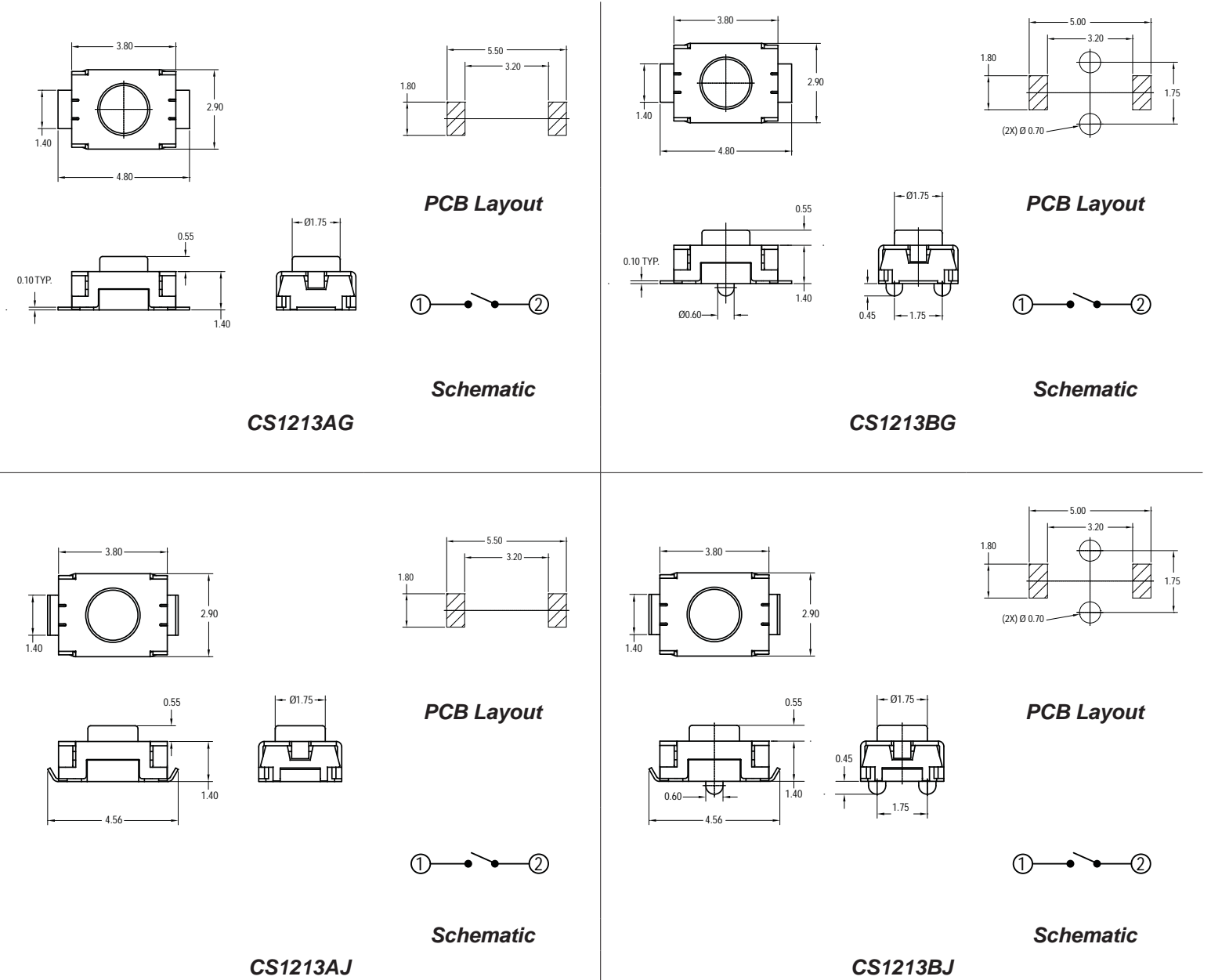
## Ordering Information

1. Series	CS1213	A	J	F160
CS1213				
2. Locating Boss Option	A = Without Boss B = With Boss			
3. Terminal Option	G = Gull Wing J = J Lead LG = 4 Terminal Gull Wing **not available with boss LGE = 4 Terminal Gull Wing with earth ground **not available with boss LJ = 4 Terminal J Lead **not available with boss LJE = 4 Terminal J Lead with earth ground **not available with boss			
4. Actuation Force	F160 = 160gF F260 = 260gF			

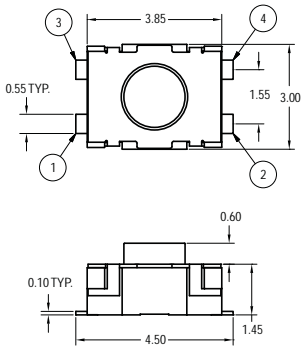
# CS1213

## Surface Mount Tactile

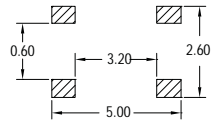
### Dimensions



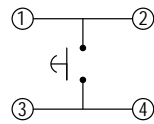
## Dimensions



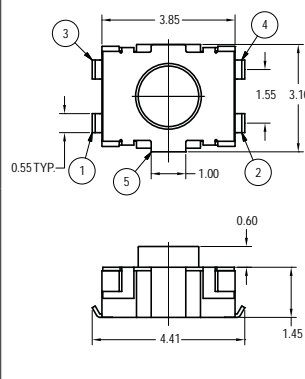
**CS1213ALG**



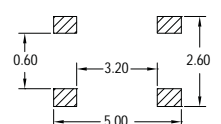
**PCB Layout**



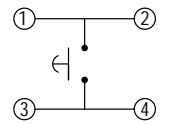
**Schematic**



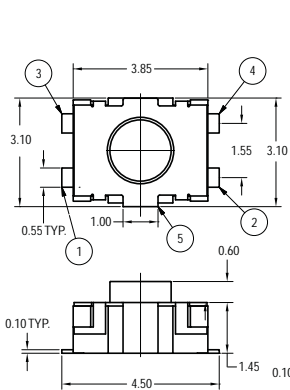
**CS1213ALJ**



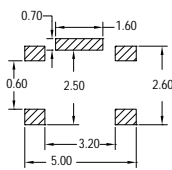
**PCB Layout**



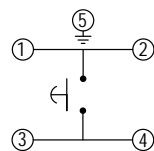
**Schematic**



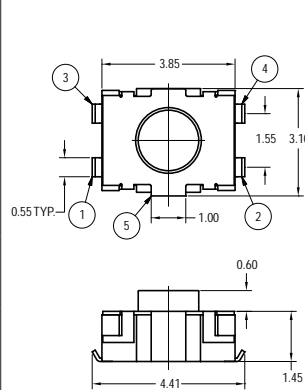
**CS1213ALGE**



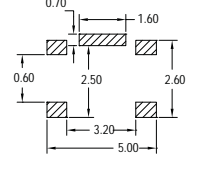
**PCB Layout**



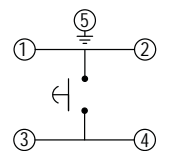
**Schematic**



**CS1213ALJE**



**PCB Layout**



**Schematic**